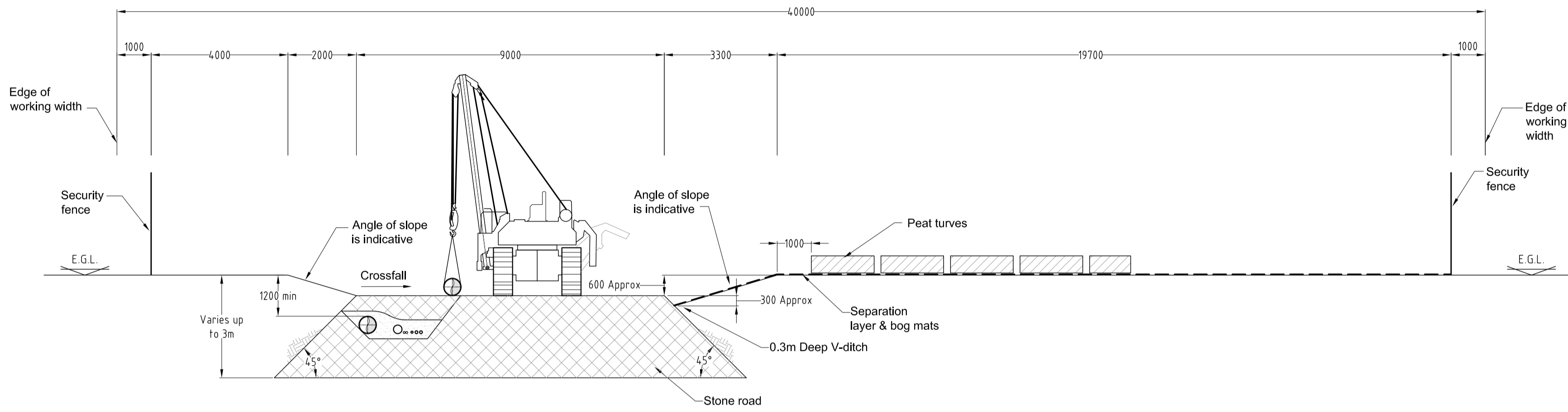
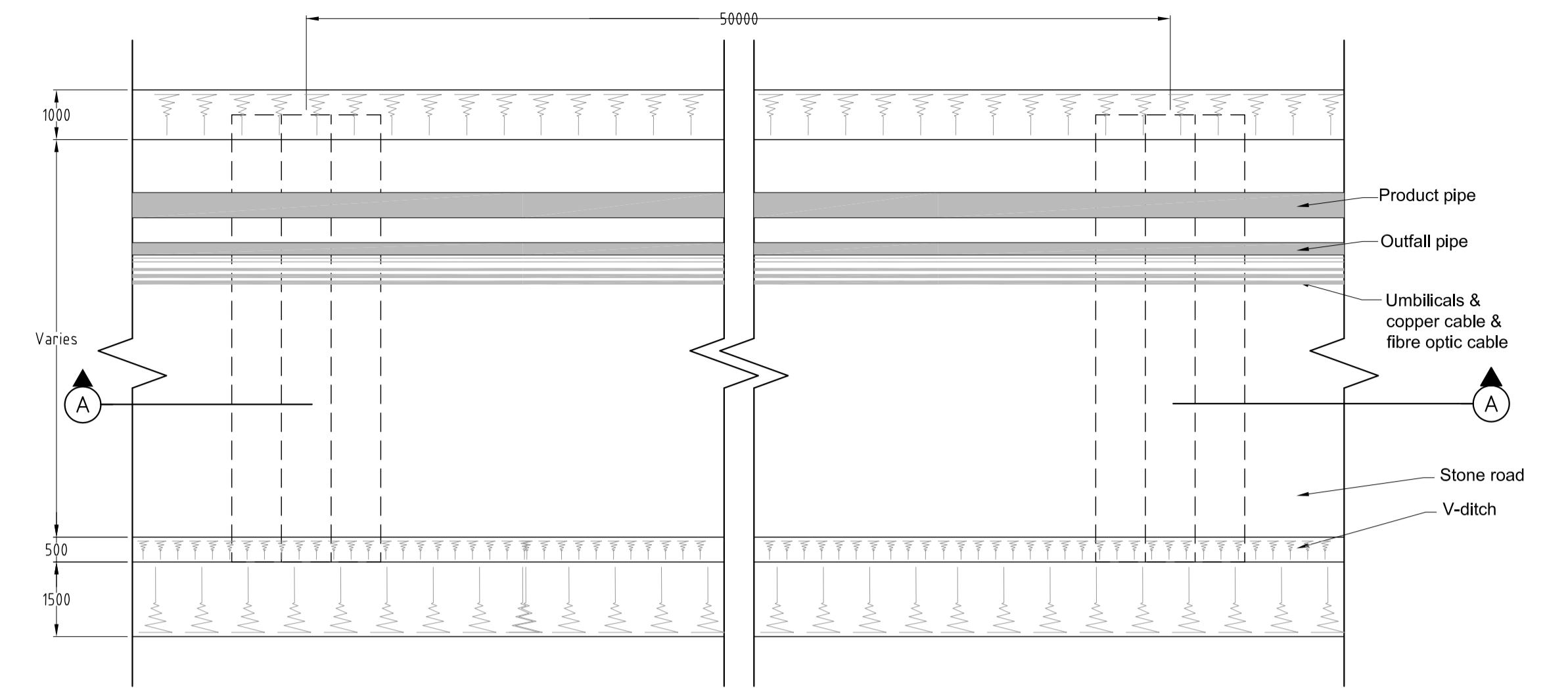


Notes:  
 1. Duct installation method is subject to method statements and diameter and application may change.  
 2. Working width subject to detailed method statements and depends on depth of peat and required Peat turv storage area.  
 3. SAC - Special Area of Conservation

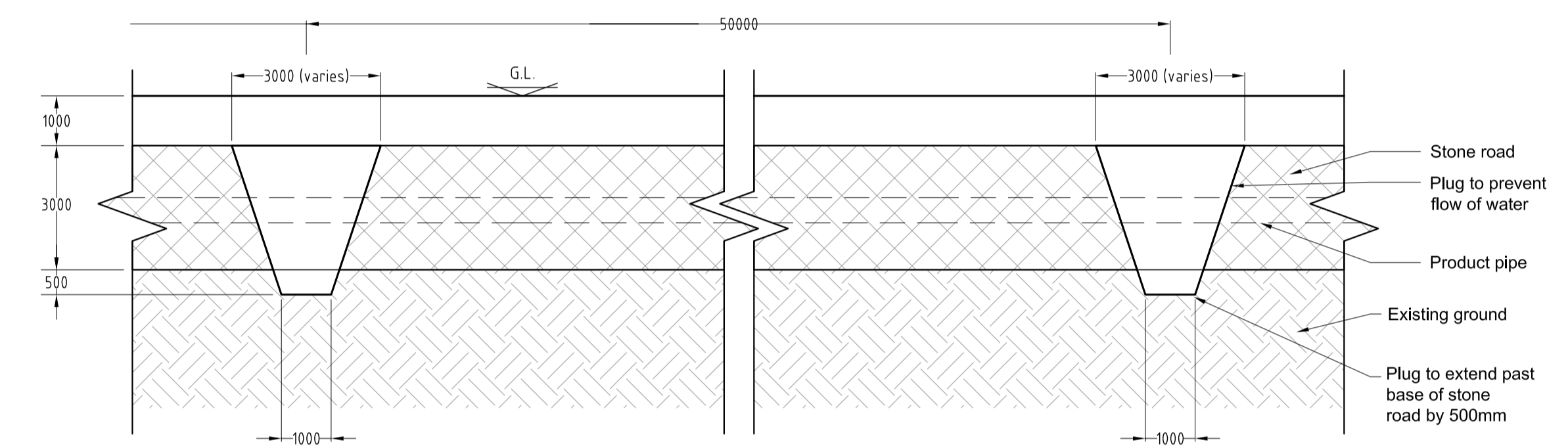


**TYPICAL PEATLAND STONE ROAD CROSS SECTION (INTACT BOG, SAC)**  
 SCALE 1:100 @ A1

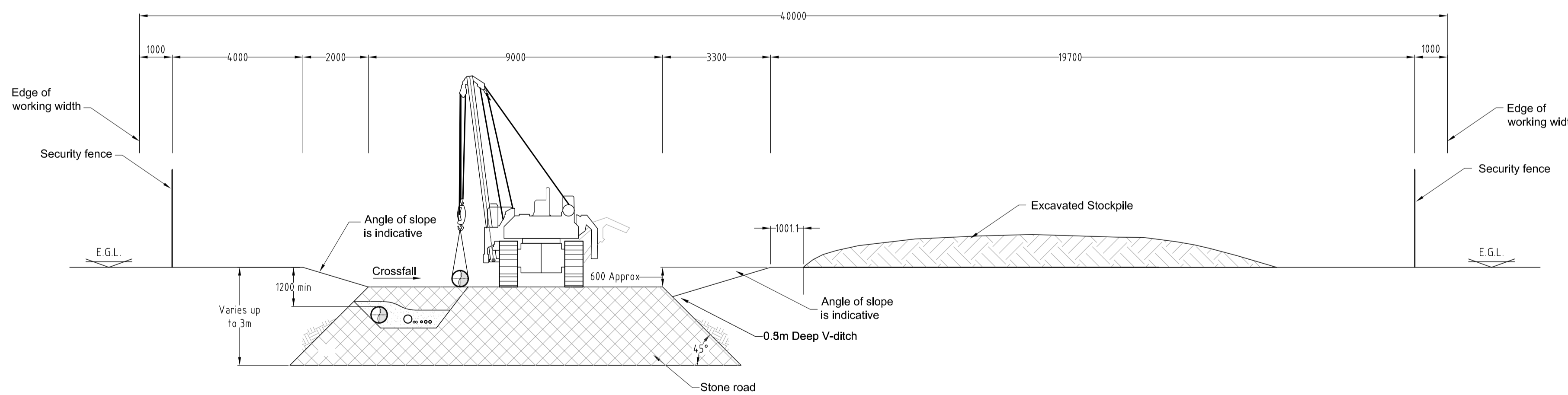


**PLAN**  
 SCALE 1:100 @ A1

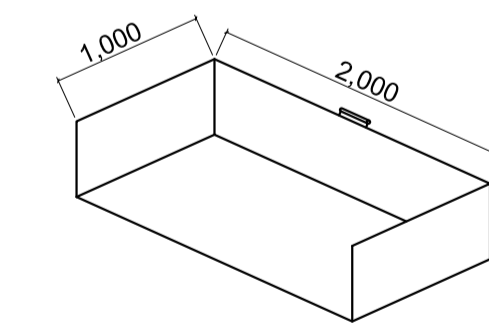
Note:  
 Plugs shall consist of suitable low permeability material or other isolation technique subject to detailed design.



**TYPICAL LONG SECTION A-A**  
 SCALE 1:100 @ A1



**TYPICAL PEATLAND STONE ROAD CROSS SECTION (CUT-OVER BOG, NON-SAC)**  
 SCALE 1:100 @ A1



**PEAT SOD REMOVAL BUCKET**  
 SCALE 1:50 @ A1

Client:  
 Shell E&P Ireland Limited  
 Corrib House, 52 Leeson Street Lower,  
 Dublin 2, Republic of Ireland.

  
 RPS, West Pier Business Campus,  
 Dun Laoghaire, Co. Dublin, Ireland.  
 T: +353 1 488 2900 - F: +353 1 283 5676  
 E: ireland@rpsgroup.com W: www.rpsgroup.com/ireland

**NOTES**  
 1. This drawing is the property of RPS, it is a confidential document and must not be copied, used, or its content divulged without prior written consent.  
 2. All Levels refer to Ordnance Survey Datum, Malin Head.  
 3. DO NOT SCALE, use figured dimensions only, if in doubt ask.

REV	DATE	REVISION	BY	CHK	ENG	CL'NT
P02	02.02.09	FOR PLANNING APPLICATION	HF	KMcM	CB	JvdW
P01	28.03.08	FOR PLANNING APPLICATION	DC	KMcM	CB	JvdW
R06	13.03.08	ISSUED FOR COMMENT	DC	KMcM	CB	JvdW
R05	06.03.08	ISSUED FOR COMMENT	DC	KMcM	CB	JvdW
R04	15.02.08	ISSUED FOR COMMENT	DC	KMcM	CB	JvdW
R03	13.02.08	ISSUED FOR COMMENT	HF	KMcM	CB	JvdW
R02	12.02.08	ISSUED FOR COMMENT	HF	KMcM	CB	JvdW

DRAWING REVISIONS

Project:  
**CORRIB ONSHORE PIPELINE**

Title:  
**CONSTRUCTION IN AREAS OF PEAT: OPTION 1 STONE ROAD (SUBJECT TO DETAILED DESIGN)**

Drawn by:	P.O.C.	Job No: MDR0470
Checked by:	K.McM.	File No: COR25MDR0470DG0601P02
Approved by:	C.B.	Dr. No: <b>DG0601</b>
Scale:	As Shown	Rev: <b>P02</b>
Date:	02.02.2009	