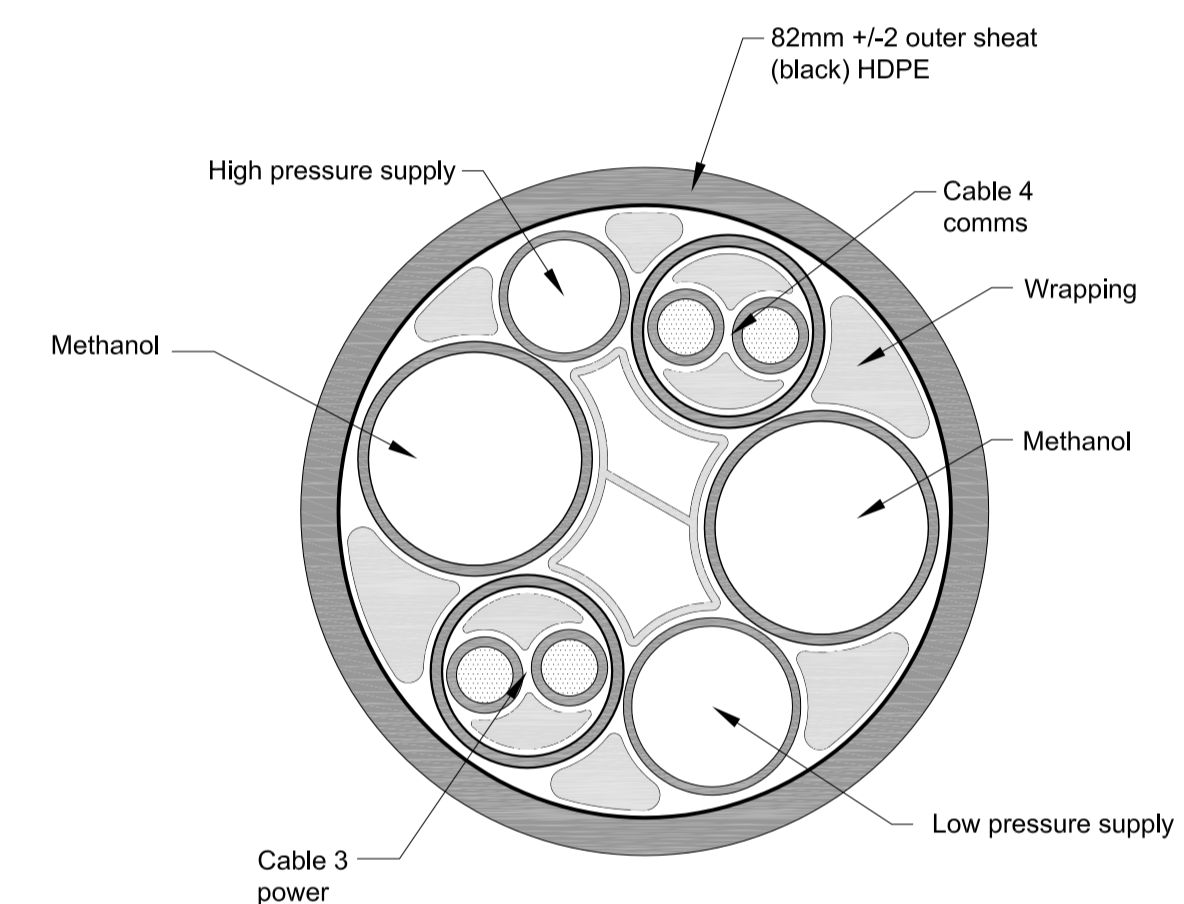


TYPICAL TRENCH DETAIL
SCALE 1:20 @ A1

1. Steel product pipe (508mm Ø)
2. Outfall pipe (dia. 250mm)
3. Duct for Fibre Optic cable (dia 63mm)
4. Duct for Copper cable (dia 63mm)
5. Umbilical #1 (dia. 62mm)
6. Umbilical #2 (dia. 81mm)
7. Umbilical #3 (dia. 81mm)



TYPICAL ONSHORE UMBILICAL DETAIL
SCALE 1:1 @ A1

Client:



Shell E&P Ireland Limited
Corrib House, 52 Leeson Street Lower,
Dublin 2, Republic of Ireland.



RPS, West Pier Business Campus,
Dun Laoghaire, Co. Dublin, Ireland.
T: +353 1 488 2900 - F: +353 1 283 5676
E: ireland@rpsgroup.com W: www.rpsgroup.com/ireland

NOTES

1. This drawing is the property of RPS, it is a confidential document and must not be copied, used, or its content divulged without prior written consent.
2. All Levels refer to Ordnance Survey Datum, Malin Head.
3. DO NOT SCALE, use figured dimensions only, if in doubt ask.

P02	02.02.09	FOR PLANNING APPLICATION	TD	KMcM	CB	JvdW
P01	28.03.08	FOR PLANNING APPLICATION	DC	KMcM	CB	JvdW
R06	14.03.08	ISSUED FOR COMMENT	DC	KMcM	CB	JvdW
R05	07.03.08	ISSUED FOR COMMENT	DC	KMcM	CB	JvdW
R04	15.02.08	ISSUED FOR COMMENT	DC	KMcM	CB	JvdW
R03	12.02.08	ISSUED FOR COMMENT	HF	KMcM	CB	JvdW
R02	11.02.08	ISSUED FOR COMMENT	HF	KMcM	CB	JvdW
REV	DATE	REVISION	BY	CHK	ENG	CL'NT
DRAWING REVISIONS						

Project:

CORRIB ONSHORE PIPELINE

Title:

**TYPICAL TRENCH AND
UMBILICAL DETAILS
(SUBJECT TO DETAILED DESIGN)**

Drawn by:	P.O.C	Job No: MDR0470
Checked by:	KMcM	File No: COR25MDR0470DG0801P02
Approved by:	CB	Drg. No: DG0801
Scale: As Shown		Rev: P02
Date: 02.02.2009		