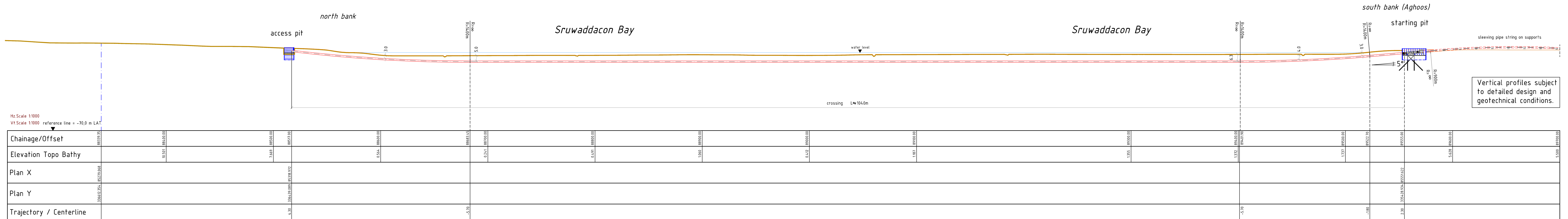


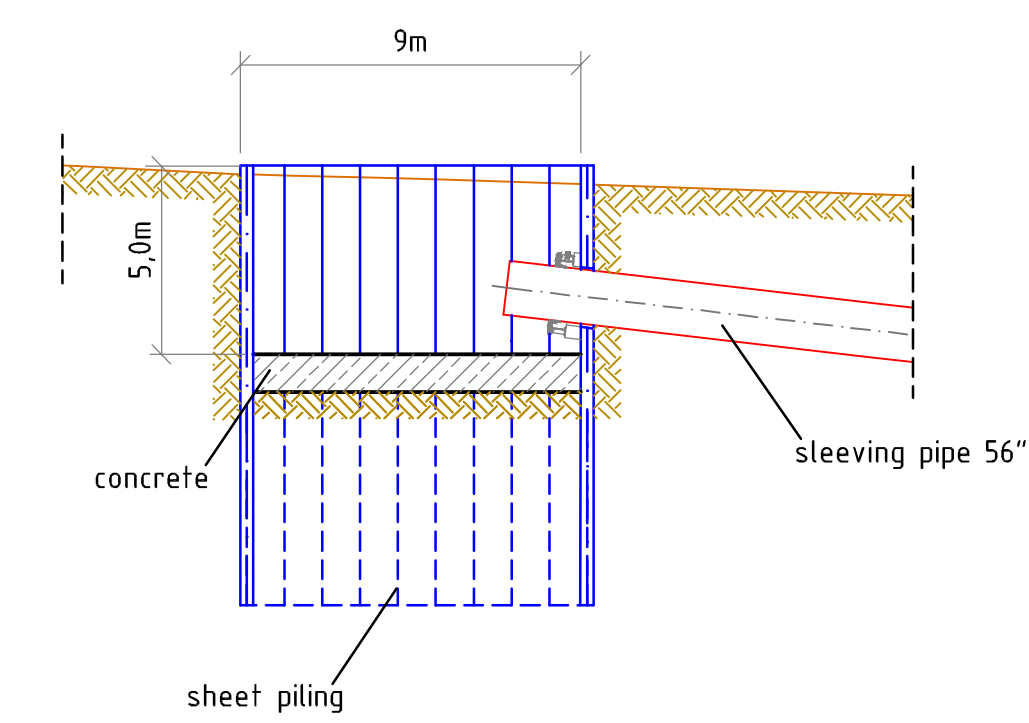
TYPICAL MICRO-TUNNELING METHOD - UPPER BAY CROSSING



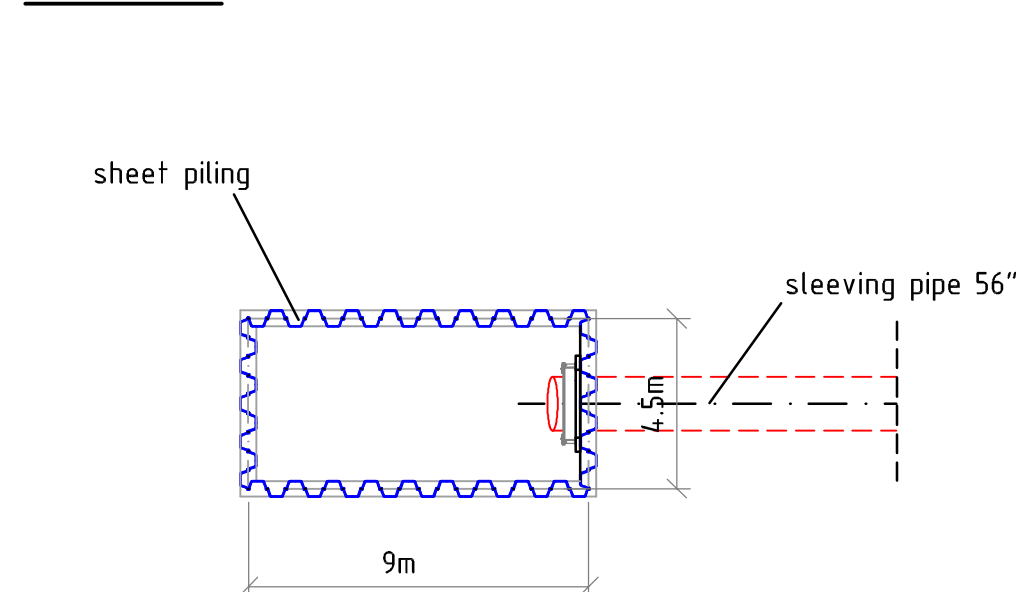
Hz Scale 1:1000
Vt Scale 1:1000 reference line = -70.0 m LAT

typical detail access pit (north bank)

1 : 200

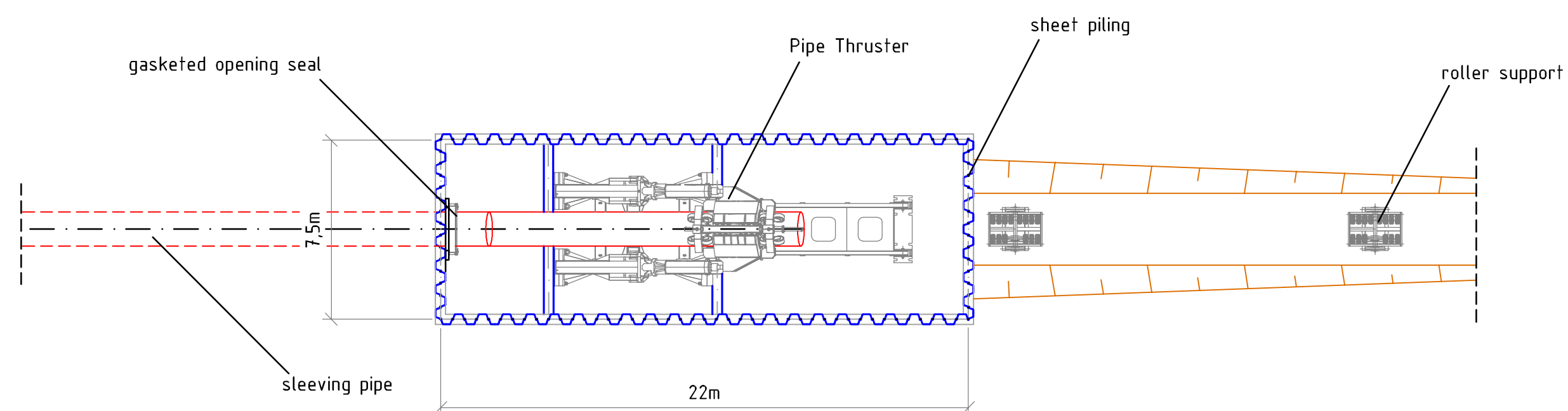
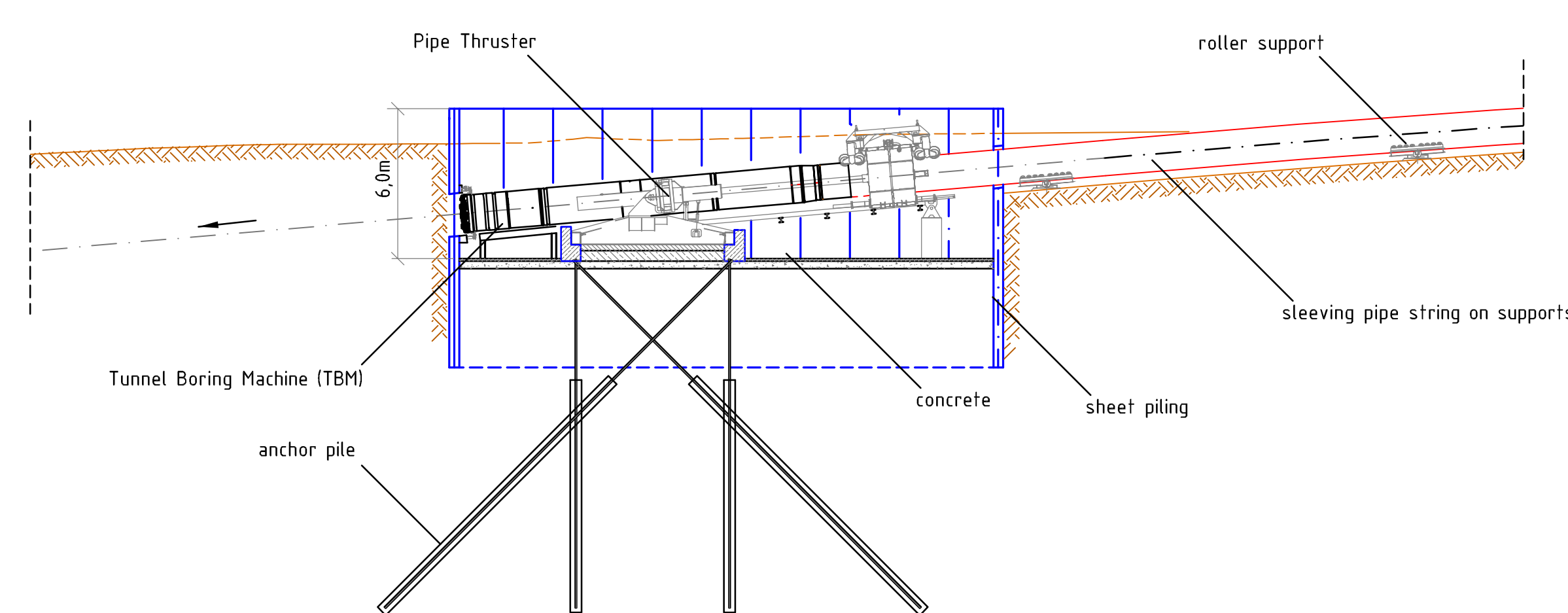


top view



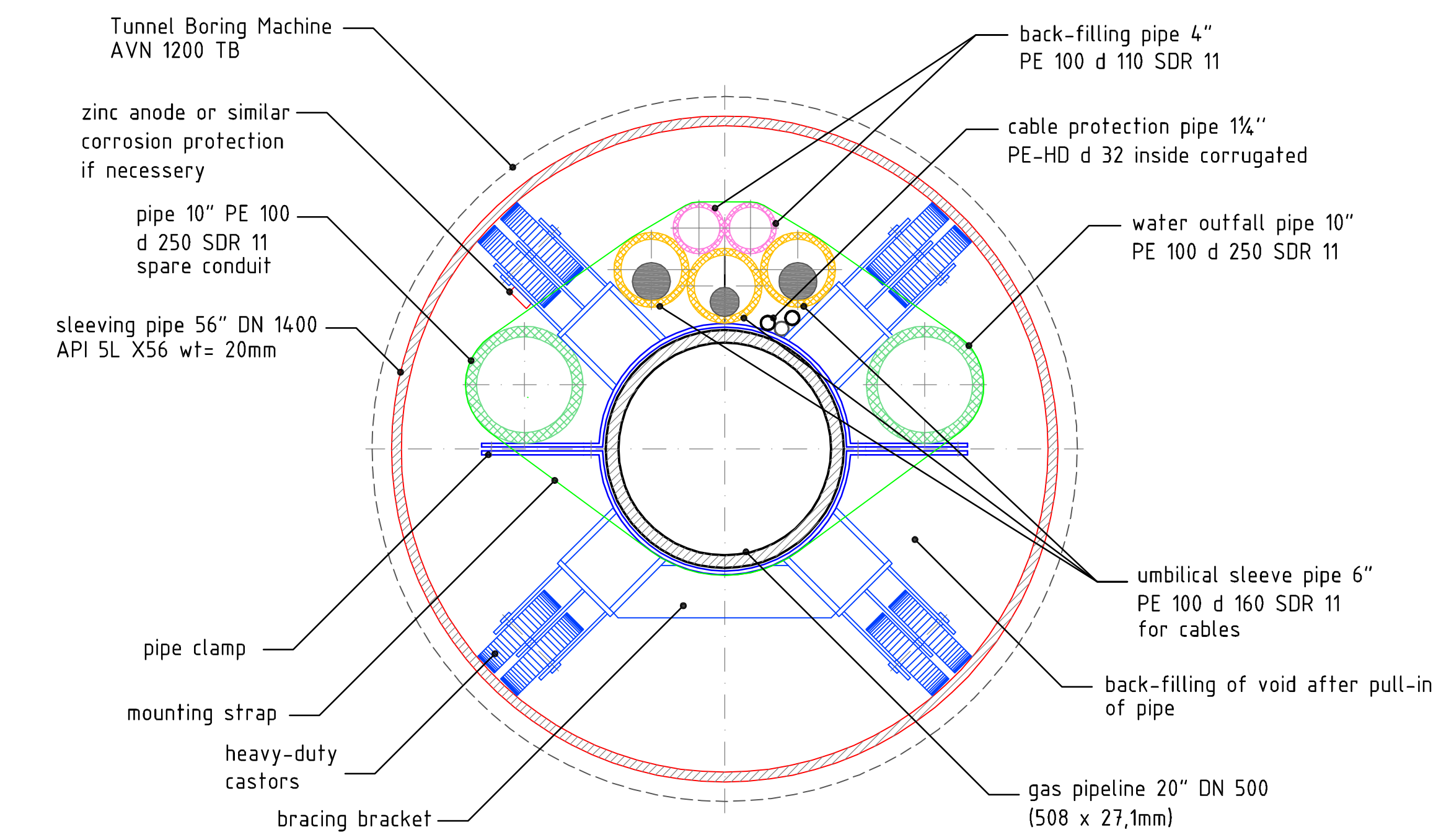
typical detail starting pit south bank (Aghoos)

1 : 200



typical cross-section

1 : 10



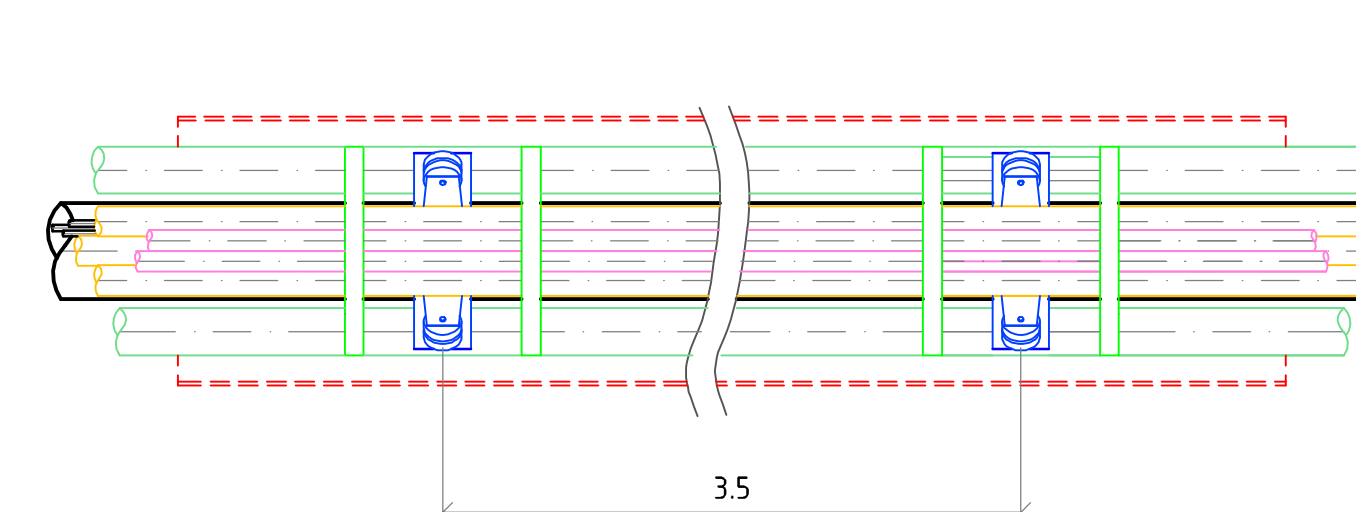
The sleeving pipe diameter is to be specified during detailed design. Typical diameter is in the range of 40 to 60-inch.

**TYPICAL MICRO-TUNNELING METHOD
UPPER BAY CROSSING**
Final profile and technical details subject to detailed design.

- dimensions in meters -

top view of gas pipeline and services

not to scale



no	modification of explanations	date	author	date	author
5	modification of explanations	10.12.08	Slack		
3	sleeving pipe diameter	14.08.08	Slack	4	modification of explanations
1	swept (path), trajectory changed	17.07.08	Slack	2	modification of explanations for cross-section

 de la Motta & Partner GmbH Breitengasse 1 1040 Wien T +31 1 42 12 34 56 F +31 1 42 12 34 56 www.delamotta.com	<p>Corrib Onshore Pipeline Upper Bay Crossing</p>	 Shell E&P Ireland Ltd

All rights are reserved for this drawing. It may not be reproduced or disclosed to third parties without consent. All rights are reserved by the author.