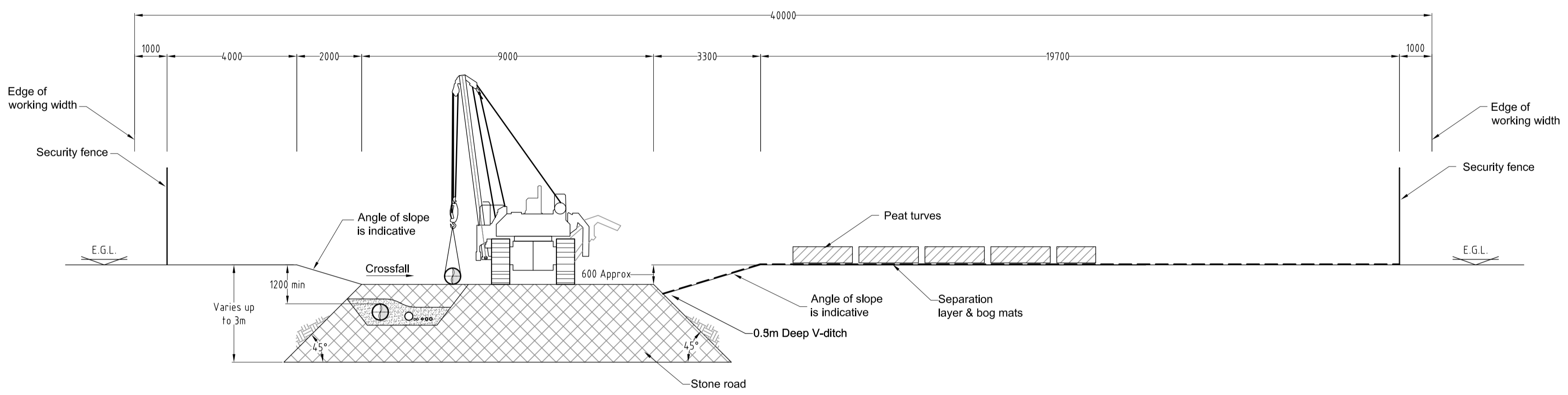
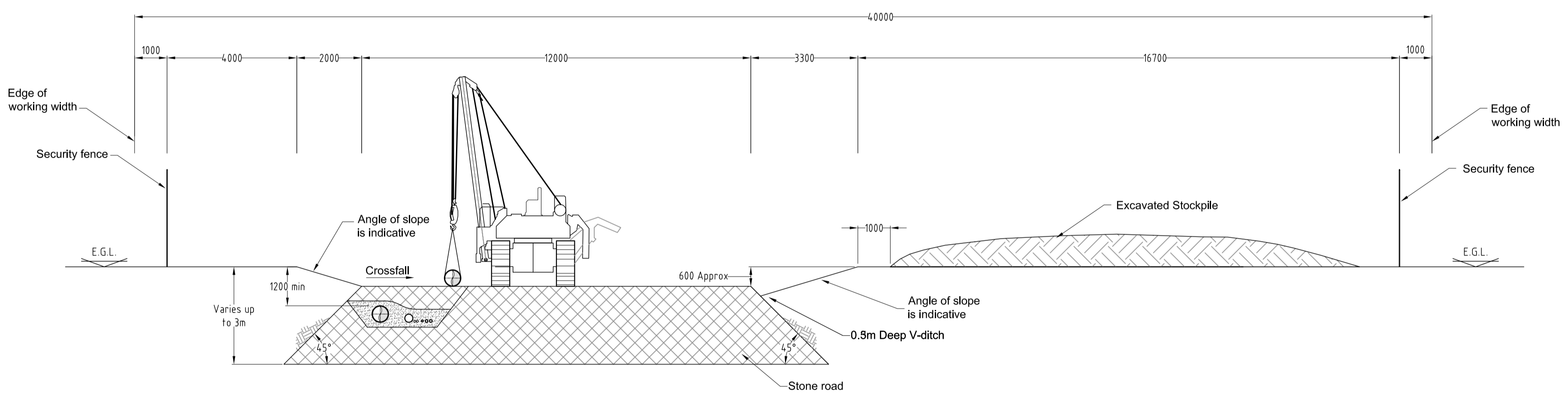


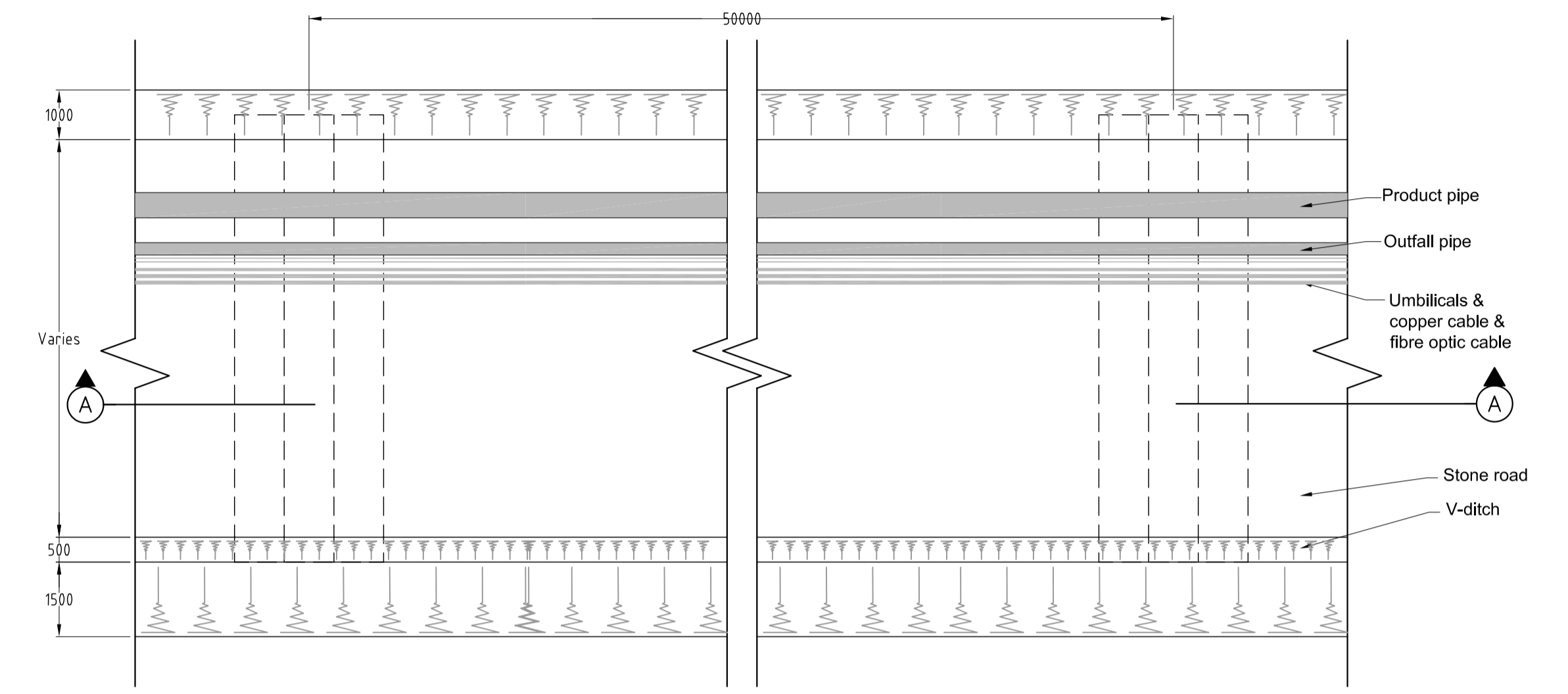
Notes:
 1. Duct installation method is subject to method statements and diameter and application may change.
 2. Working width subject to detailed method statements and depends on depth of peat and required Peat turv storage area.



TYPICAL PEATLAND STONE ROAD CROSS SECTION
 (9m ROAD)
 SCALE 1:100 @ A1

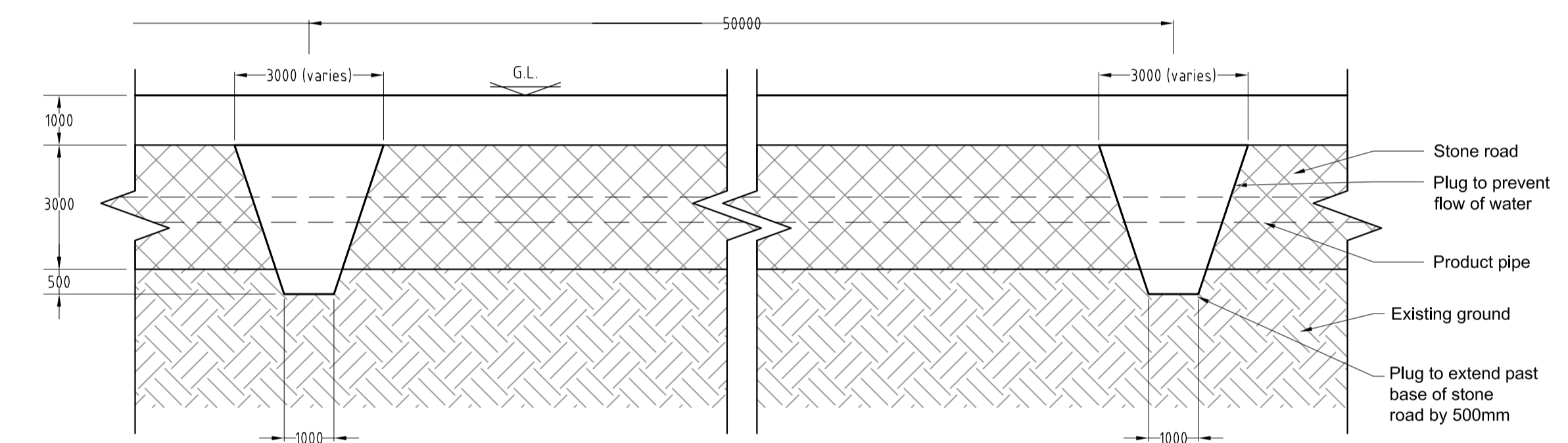


TYPICAL PEATLAND STONE ROAD CROSS SECTION
 (12m ROAD)
 SCALE 1:100 @ A1

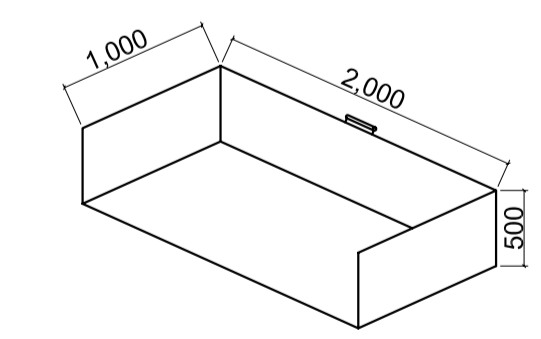


PLAN
 SCALE 1:100 @ A1

Note:
 Plugs shall consist of suitable low permeability material or other isolation technique subject to detailed design.



TYPICAL LONG SECTION A-A
 SCALE 1:100 @ A1



PEAT SOD REMOVAL BUCKET
 SCALE 1:50 @ A1

Client:
 Shell E&P Ireland Limited
 Corrib House, 52 Leeson Street Lower,
 Dublin 2, Republic of Ireland.

 RPS
 RPS, West Pier Business Campus,
 Dun Laoghaire, Co. Dublin, Ireland.
 T: +353 1 488 2900 - F: +353 1 283 5676
 E: ireland@rpsgroup.com W: www.rpsgroup.com/ireland

NOTES
 1. This drawing is the property of RPS, it is a confidential document and must not be copied, used, or its content divulged without prior written consent.
 2. All Levels refer to Ordnance Survey Datum, Malin Head.
 3. DO NOT SCALE, use figured dimensions only, if in doubt ask.

REV	DATE	REVISION	BY	CHK	ENG	CL'NT
P03	04.05.10	FOR PLANNING APPLICATION	HF	KMcM	CB	JvdW
R11	20.04.10	ISSUED FOR COMMENT	HF	KMcM	CB	JvdW
R10	04.03.10	ISSUED FOR COMMENT	HF	KMcM	CB	JvdW
R09	16.02.10	ISSUED FOR COMMENT	HF	KMcM	CB	JvdW
R08	12.02.10	ISSUED FOR COMMENT	HF	KMcM	CB	JvdW
R07	02.02.10	ISSUED FOR COMMENT	HF	KMcM	CB	JvdW
P02	02.02.09	FOR PLANNING APPLICATION	HF	KMcM	CB	JvdW

DRAWING REVISIONS

Project:
CORRIB ONSHORE PIPELINE

Title:
CONSTRUCTION IN AREAS OF PEAT: STONE ROAD (SUBJECT TO DETAILED DESIGN)

Drawn by:	P.O'C.	Job No:	MDR0470
Checked by:	K.McM.	File No:	COR25MDR0470DG0601P03
Approved by:	C.B.	Drg. No:	DG0601
Scale:	As Shown	Rev:	P03
Date:	02.02.2009		